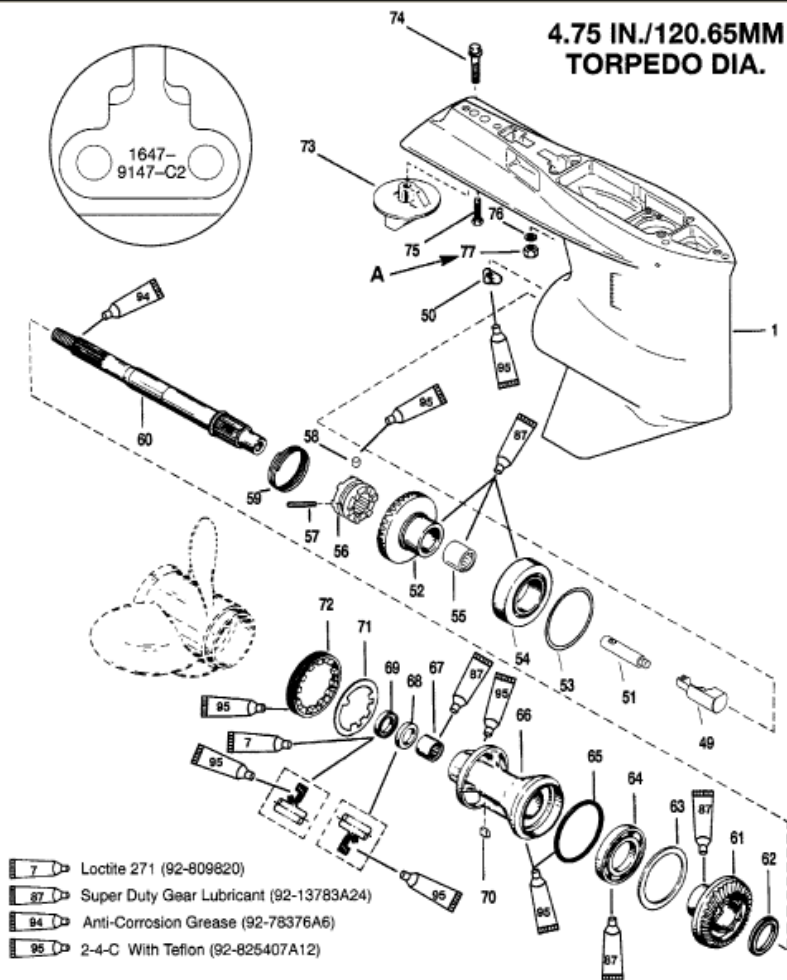


**4.75 IN./120.65MM
 TORPEDO DIA.**



A - Torque nut to 55 lb. in. (74.5 N-m)

Parts List

| Ref | Class | Part | Description | Qty | Comment | Footnote |
|-----|-------|-----------|-----------------------------|-----|---------------------------------|----------|
| 1 | 1647 | 9148793 | GEAR HOUSING | 1 | (BLACK)(BASIC) | |
| 49 | | 89594A 1 | CAM FOLLOWER | 1 | | |
| 50 | | 78956 2 | SHIFT CAM | 1 | | |
| 51 | | 828287 | ROD | 1 | | |
| 52 | 43 | 828174A 2 | GEAR SET | 1 | (150/XR6/MAG. III/175/200)(1.87 | |
| 52 | 43 | 828176A 2 | GEAR SET | 1 | (135)(2.0:1 - 14/28) | |
| 53 | 15 | 44491A 1 | SHIM (.006-7-9-10-20) | AR | | 5 |
| 54 | 31 | 30894A 1 | TAPERED ROLLER BEARING | 1 | | |
| 55 | 31 | 30895 | NEEDLE BEARING | 1 | | |
| 56 | 52 | 854735T | CLUTCH | 1 | | 1 |
| 57 | 17 | 30632 | CROSS PIN | 1 | | |
| 58 | 17 | 828356 | DETENT PIN | 1 | | |
| 59 | 24 | 30893 | SPRING | 1 | | |
| 60 | 44 | 94148 | PROPELLER SHAFT | 1 | | |
| 61 | 43 | 828175A 1 | REVERSE GEAR | 1 | (150/XR6/MAG. III/175/200)(1.87 | |
| 61 | 43 | 828177A 1 | REVERSE GEAR | 1 | (135)(2.0:1 - 14/28) | |
| 62 | 23 | 824108 | THRUST SPACER | 1 | | |
| 63 | | 68100 1 | THRUST RING | 1 | | |
| 64 | 30 | 88957 | BALL BEARING | 1 | | |
| 65 | 25 | 31534 | O-RING | 1 | | 4,9 |
| 66 | | 43567A 1 | BEARING CARRIER ASSEMBLY | 1 | | |
| 67 | 31 | 30956 | ROLLER BEARING | 1 | | |
| 68 | 26 | 14077 | OIL SEAL (INSIDE) | 1 | | |
| 69 | 26 | 76868 | OIL SEAL (OUTSIDE) | 1 | | 9 |
| 70 | 28 | 30281 | KEY | 1 | | |
| 71 | 14 | 79447 | TAB WASHER | 1 | | |
| 72 | | 79448 | COVER | 1 | | |
| 73 | | 31640 5 | TRIM TAB | 1 | | |
| 73 | | 76214A 5 | ANODIC PLATE | 1 | (TRACKER/XR6/MAG III/175 /20 | |
| 74 | 10 | 806327 | SCREW (7/16-14 X 1-3/4 IN.) | 1 | | |
| 75 | 10 | 65210 | SCREW (3/8-16 X 1) | 1 | | |
| 76 | 12 | 45176 | WASHER | 2 | | |
| 77 | 11 | 34933 | NUT | 2 | | |
| - | 27 | 815791A92 | ENGINE GASKET SET | 1 | | |
| - | 26 | 89238A 2 | G/H SEAL KIT | 1 | | |